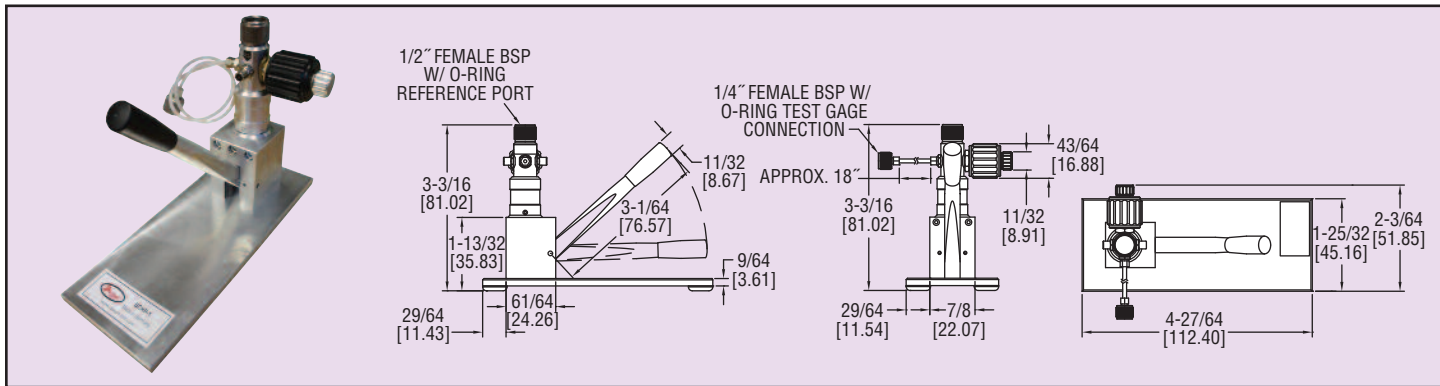




Series
BCHP

Low Pressure Calibration Pump

Vacuum or Pressure, Generates up to 870 psi (60 bar)



The **Series BCHP Calibration Test Pump** is able to generate pressure and vacuum for adjusting or calibrating pressure gauges, transmitters, or switches. The pump is hand operated and has a pneumatic pressure range of -28 in Hg to 870 psi (-0.95 bar to 60 bar). Dual pressure ports allow two instruments to be connected to the pump without additional fittings. The Series BCHP can be used in laboratories and production areas. The fine adjustment valve on this pump ensures precise measurements.

Model BCHP-1, Calibration Test Pump

Model BCHP-KIT, Test Pump with 1/4" NPT Connections, Fine Volume Adjustment Tool and Case

SPECIFICATIONS:

Media: Air.

Output Ranges: -28 in Hg to 870 psi (-0.95 to 60 bar).

Process Connections: 1/4" female BSP

Gauge Connection: 1/2" female BSP.

Materials: Anodized aluminum, brass, and ABS.

Weight: 8.4 lb (3.8 kg).

ACCESSORIES

A-BCHP-CASE, Case for BCHP-1

A-BCHP-NPT, 1/4" BSP to 1/8" NPT, 1/4" NPT, 3/8" NPT and 1/2" NPT Converter Set for Test Connection

A-BCHP-VAT, Fine Volume Adjustment Tool