



Series
610

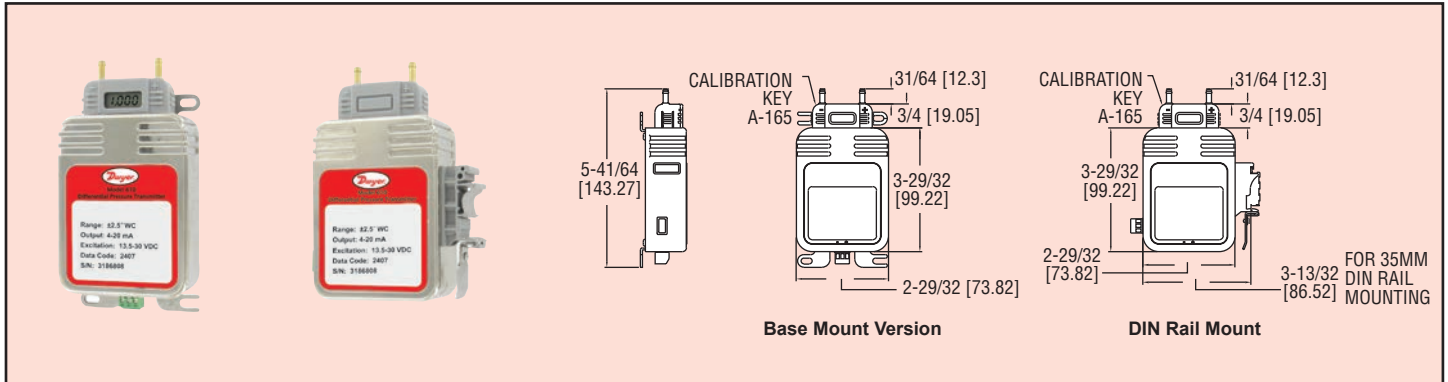
Precision Low Differential Pressure Transmitter

Ideal for Clean Rooms, Easy to Field Calibrate with Security Key



PRESSURE

Differential Pressure Transmitters



The Series 610 Low Differential Pressure Transmitters are capable of measuring the pressures and flow of air or non-conducting gases at high resolutions. Designed specifically for clean rooms, isolation rooms, and other critical environments, the Series 610 is ideal for situations when accurate and reliable pressure monitoring is essential. Easy access pressure ports and electrical connections, removable process heads, and detachable terminal blocks make for fast and easy installation. The Series 610 transmitters are available for air pressure ranges as low as 0.1 in w.c. full-scale. The Series 610 transmitters can be ordered as either $\pm 0.25\%$ or $\pm 0.5\%$ FS accuracy, base mount or din rail mount and the option of a digital read out display. In addition, a calibration key can be ordered that allows the user to set zero and span. One key will work on multiple transmitters.

FEATURES

- Ranges down to 0.1" w.c. with 0.25% or 0.5% F.S. accuracy
- Removeable process head for simplified installation
- Secure operation ensured with calibration only possible via separate calibration key
- Calibration certificate included with $\pm 0.25\%$ accuracy models

0.5% Accuracy			
With Display		Without Display	
Model	Range	Model	Range
610-01D-BDE	0-.1"	610-01D-BNE	0-.1"
610-25D-BDE	0-.25"	610-25D-BNE	0-.25"
610-05D-BDE	0-.5"	610-05D-BNE	0-.5"
610-01A-BDE	0-1"	610-01A-BNE	0-1"
610-25A-BDE	0-2.5"	610-25A-BNE	0-2.5"
610-05A-BDE	0-5"	610-05A-BNE	0-5"
610-10A-BDE	0-10"	610-10A-BNE	0-10"
610-01C-BDE	$\pm 1"$	610-01C-BNE	$\pm 1"$
610-25C-BDE	$\pm 2.5"$	610-25C-BNE	$\pm 2.5"$

Note:

For 0.25% accuracy models change last letter E to V.
For Din Rail Mount models change the letter B to D.

SPECIFICATIONS

- Service:** Air or similar non-conducting gases.
- Accuracy:** $\pm 0.25\%$ or $\pm 0.5\%$ FS.
- Stability:** $\pm 0.5\%/yr.$
- Temperature Limits:** -20 to 160°F (-29 to 71°C).
- Pressure Limits:** 2 psi (0.137 bar).
- Thermal Effect:** 0.5% FS.
- Power Requirements:** 13.5 to 30 VDC.
- Output:** 4 to 20 mA.
- Loop Resistance:** 800 Ω max.
- Current Consumption:** 25 mA.
- Zero and Span Adjustments:** External security key pendant.
- Response Time:** 0.02 to 0.04 seconds.
- Electrical Connections:** Detachable screw terminal connector.
- Process Connections:** 3/16" OD barbed brass fittings on removeable process head.
- Enclosure Rating:** Fire retardant ABS.
- Mounting Orientation:** Vertical.
- Weight:** 9 oz (255 g).
- Agency Approvals:** CE.

ACCESSORIES

- A-165, Security Key
- A-616, Process Head without display
- A-617, Process Head with LCD display

OPTION

For NIST traceable calibration certificate, use order code NISTCAL-PT1.

Process Tubing Options: See page 547 (Gage Tubing Accessories)
Static Fitting Options: See page 548 (Static Pressure Tips)