



MODEL CWMS

Cooling Water Mixing Skid

*Secondary Trim Cooling
Without a Mechanical Chiller*



COOLING WATER MIXING SKID

Features

- Uses existing chilled water
- Minimizes water usage or well water sources
- $\pm 1^{\circ}\text{F}$ (0.5°C) control

Options

- Manual controlled dual pumps
- Dual pumps with automatic switch over on loss of flow. Includes pump selector switch, flow switch, check valves at the pump discharge and time delay relay.
- Oversized make up and discharge lines and valves for systems with high temperature makeup water

Specifications

Recirculating Water Pump

Centrifugal pump with direct connected 3 phase TEFC motor. Pumps are provided with inlet and outlet isolation valves and unions/flanges to facilitate pump maintenance.

Temperature Control

Electronic controller and modulating ball valve capable of control within $\pm 1^{\circ}\text{F}$ (0.5°C). Controller has digital indication of controller set point and fluid temperature.

Make-up Water Connection

Make-up water line sized to handle the entire recirculating water flow rate. Manual isolation valve provided for periods when system is not operated.

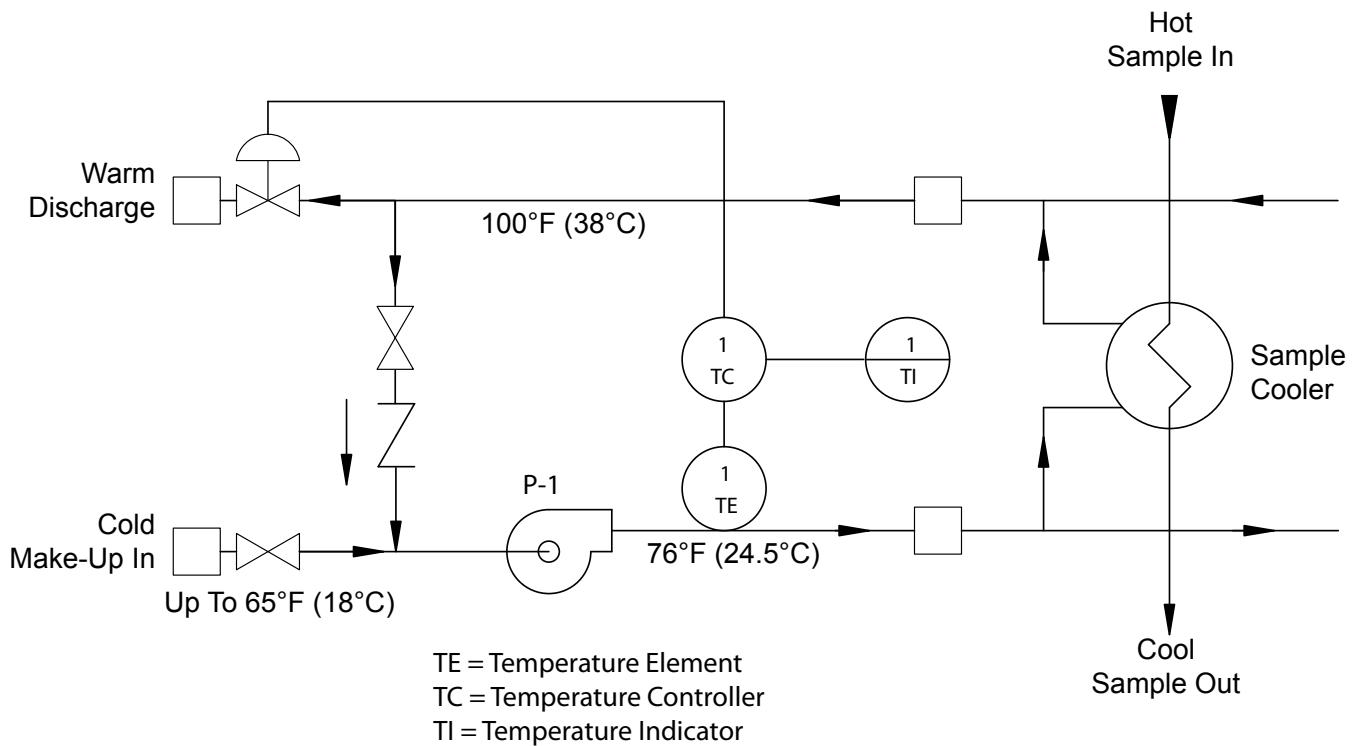
Electrical

- 3-phase connection with internal step down control transformer.
- NEMA 4X enclosure with disconnect.
- Indicating lights for 'Power On', 'Pump On' and 'Pump Off'.

Instrumentation

Pump discharge pressure gauge and digital temperature indication listed above.

COOLING WATER MIXING SKID SCHEMATIC DIAGRAM



MODEL CWMS INFORMATION

Model No.	Recirculating flow gpm	Pump hp	Connection sizes	
			Recirculating water	Make-up & Discharge
CWMS-35	35	1	1 1/2" NPT	1" NPT
CWMS-80	80	3	2" NPT	2" NPT
CWMS-140	140	5	2 1/2" 150# RF flg	3" 150# RF flg

Recirculating flow rates are based upon an external pressure drop of 20 psi (1.4 bar).
Optional 110 Volt single phase motor.

⚠ WARNING

It is solely the responsibility of the end-user, through its own analysis and testing, to select products and materials suitable for their specific application requirements, ensure they are properly installed, safely applied, properly maintained, and limit their use to their intended purpose. Improper selection, installation, or use may result in personal injury or property damage.



SENTRY EQUIPMENT CORP

966 Blue Ribbon Circle North
Oconomowoc, WI 53066 USA
Tel: 262-567-7256 • Fax: 262-567-4523

E-mail:
sales@sentry-equip.com

Website:
www.sentry-equip.com

**QUALITY MANAGEMENT SYSTEM
CERTIFIED BY DNV**
ISO 9001:2008

For further information, contact: